

FOUNDATION PLAN  
BLDG. D-2

- NOTES:
- 3" CLR TO SOIL
  - 2" CLR TO FORMS
  - LAP ALL BARS 40 DIA  
SEE SCHEDULE
  - WALL HORIZ CORNERS  
SEE DETAILS 1&2 ON PAGE 52
  - STAGGER ALL LAPS

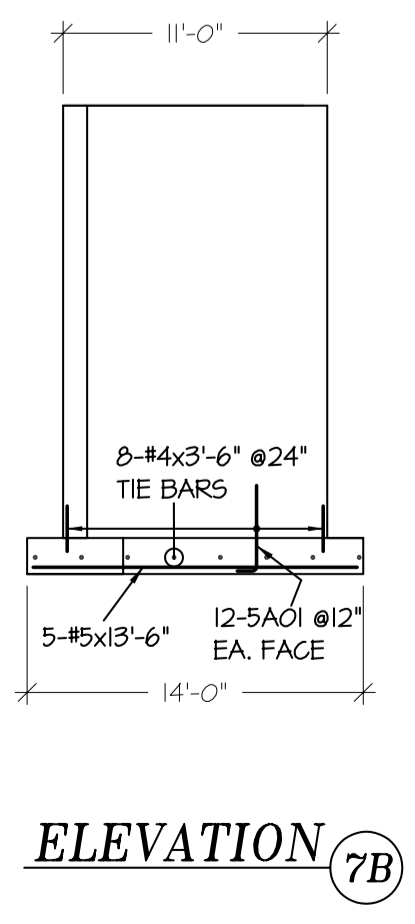
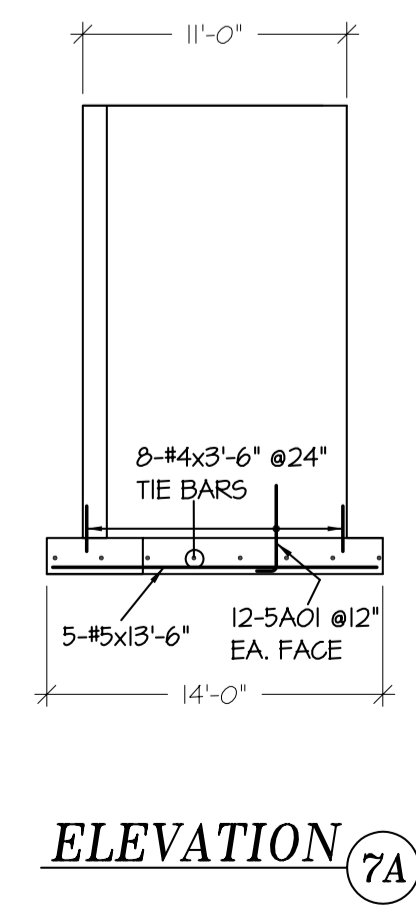
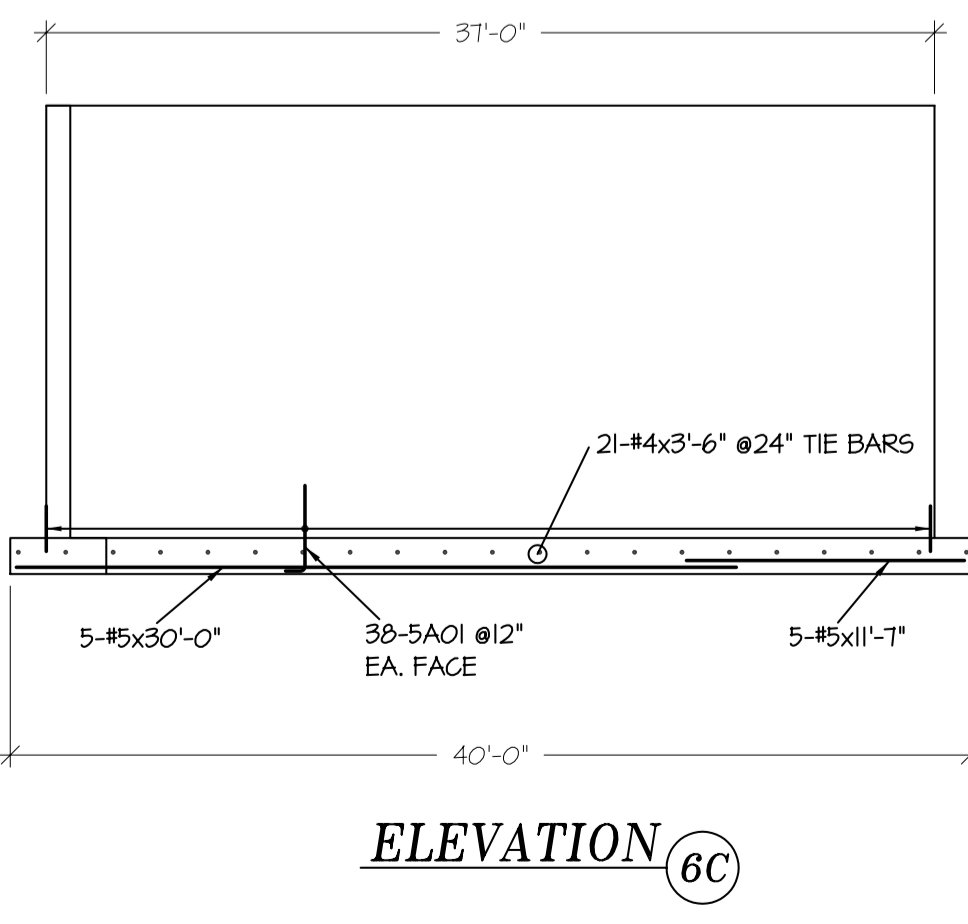
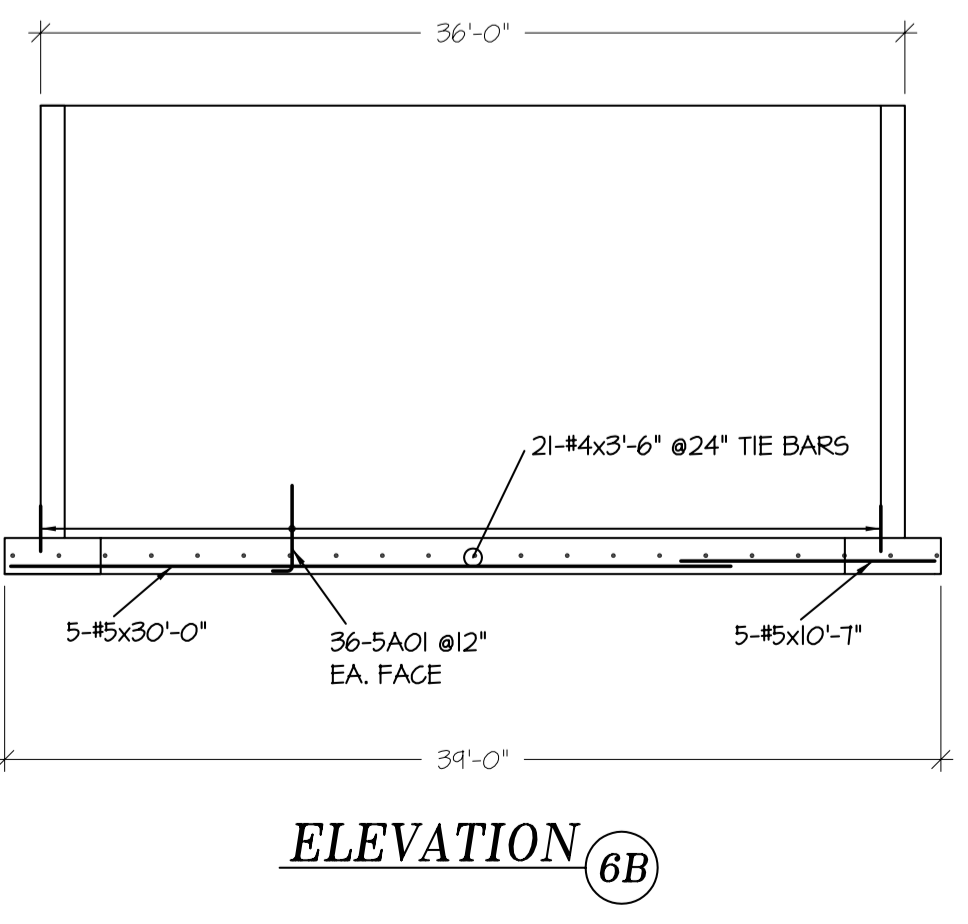
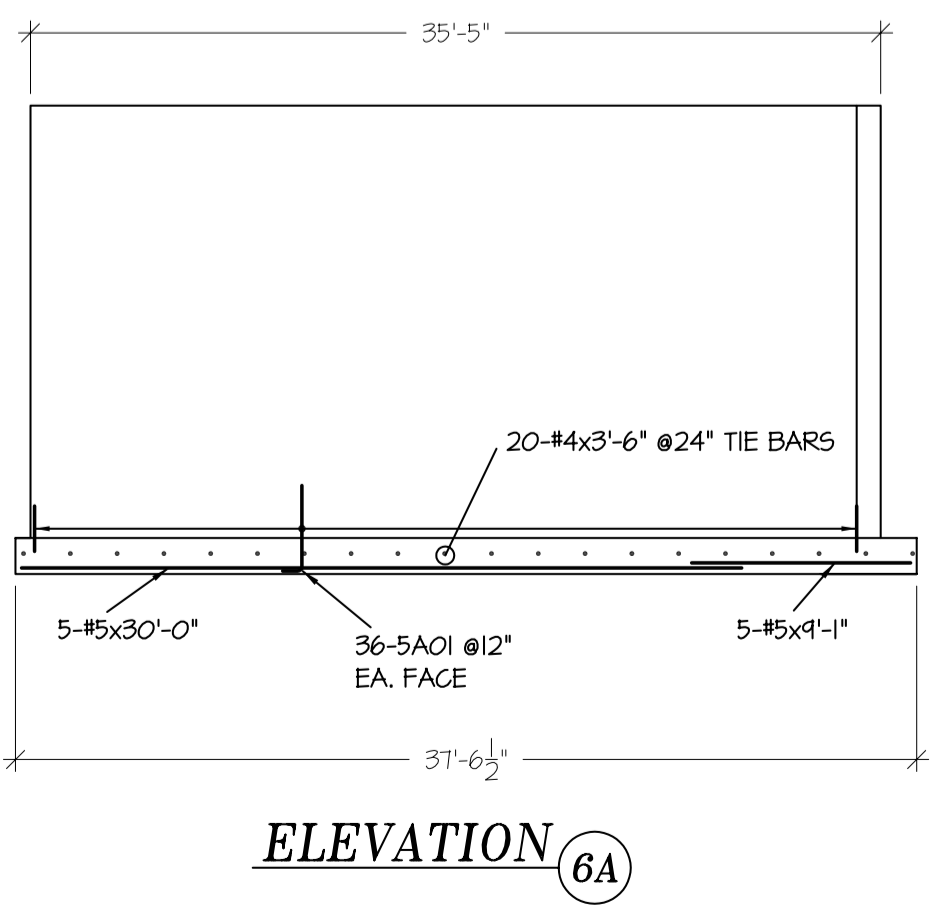
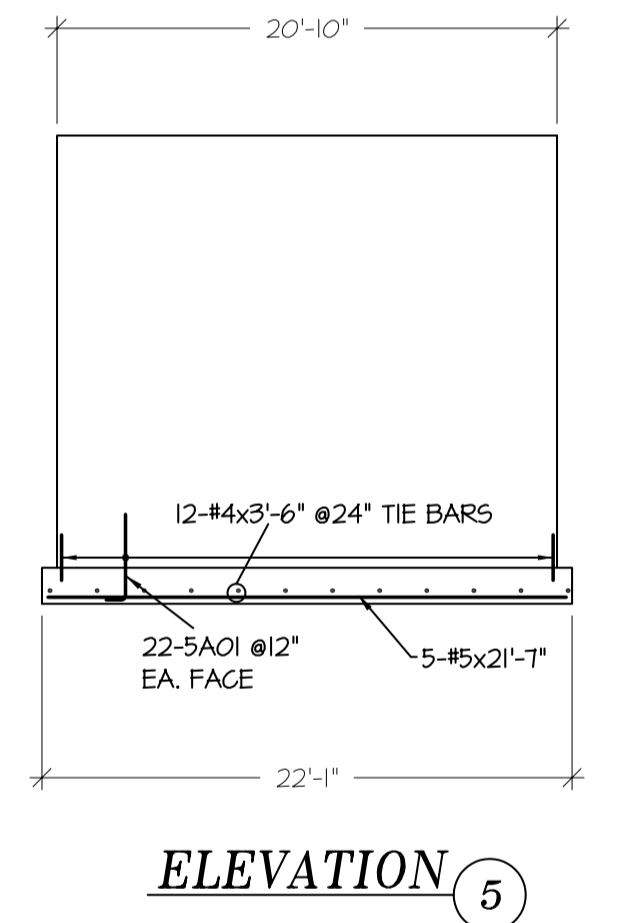
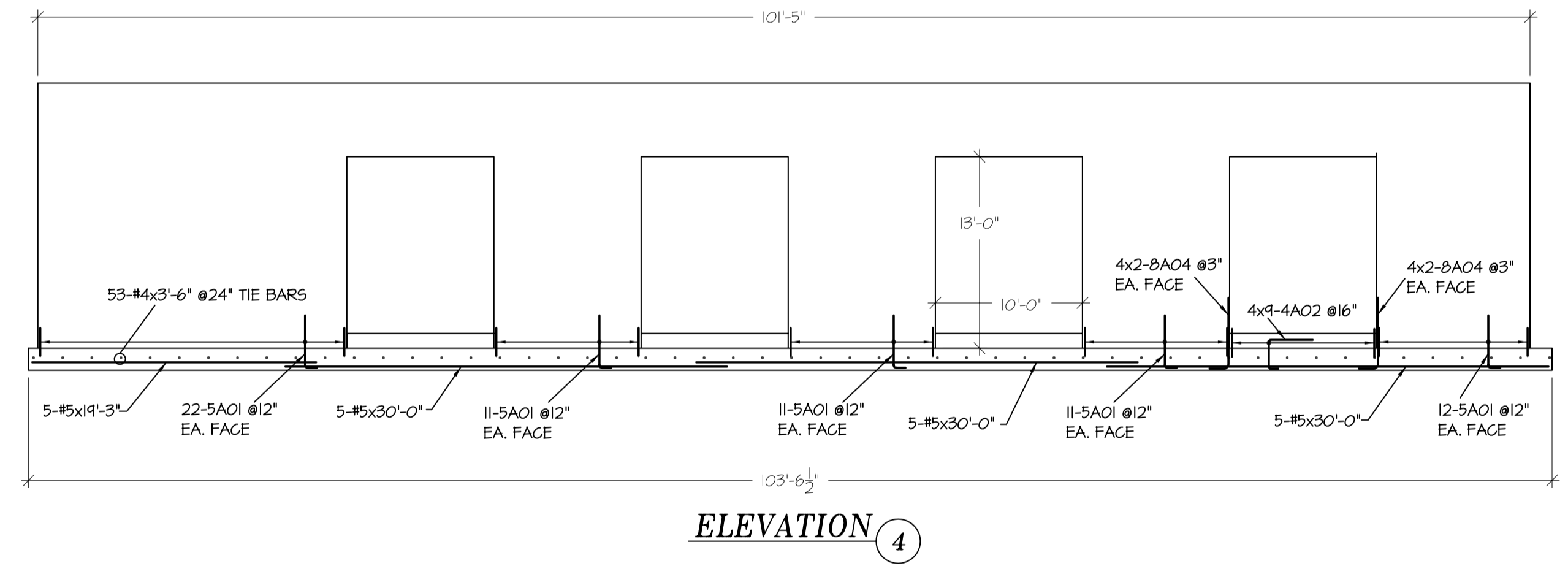
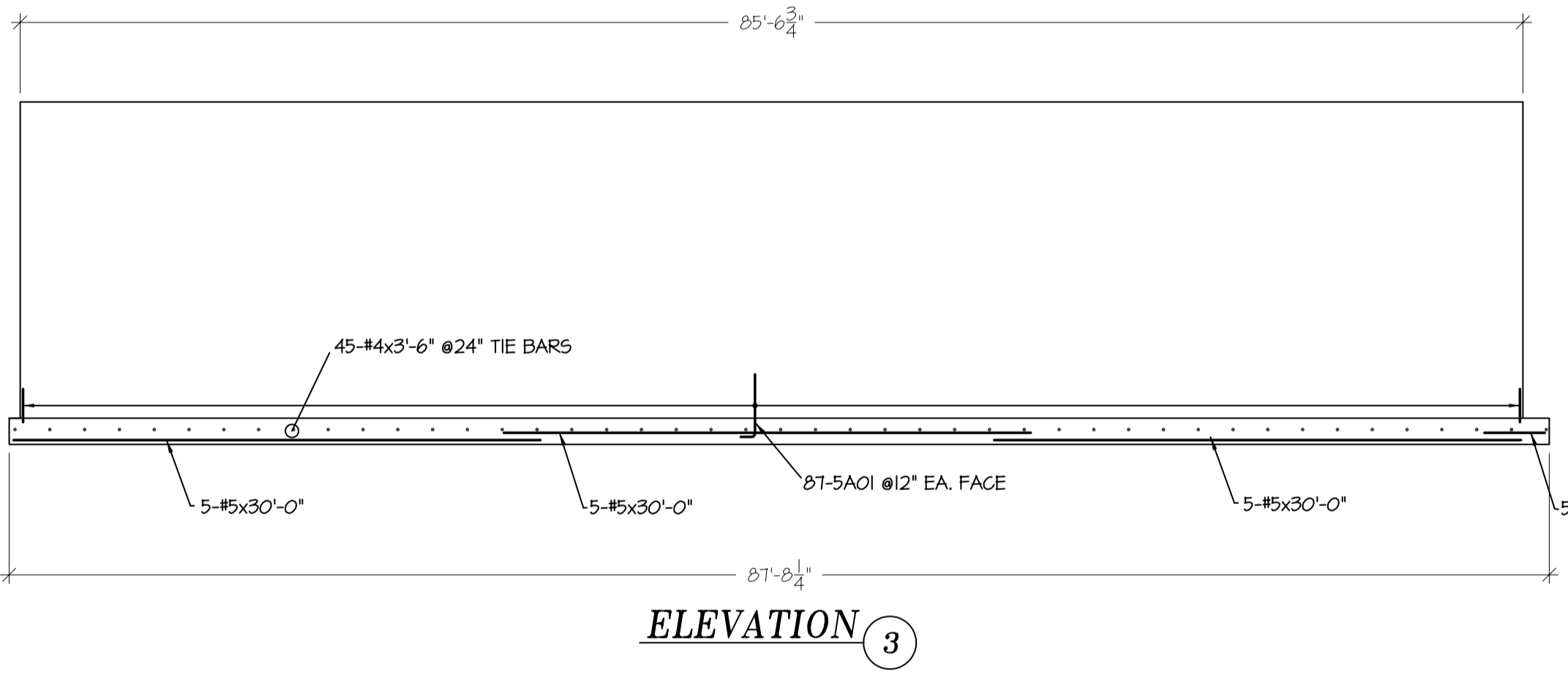
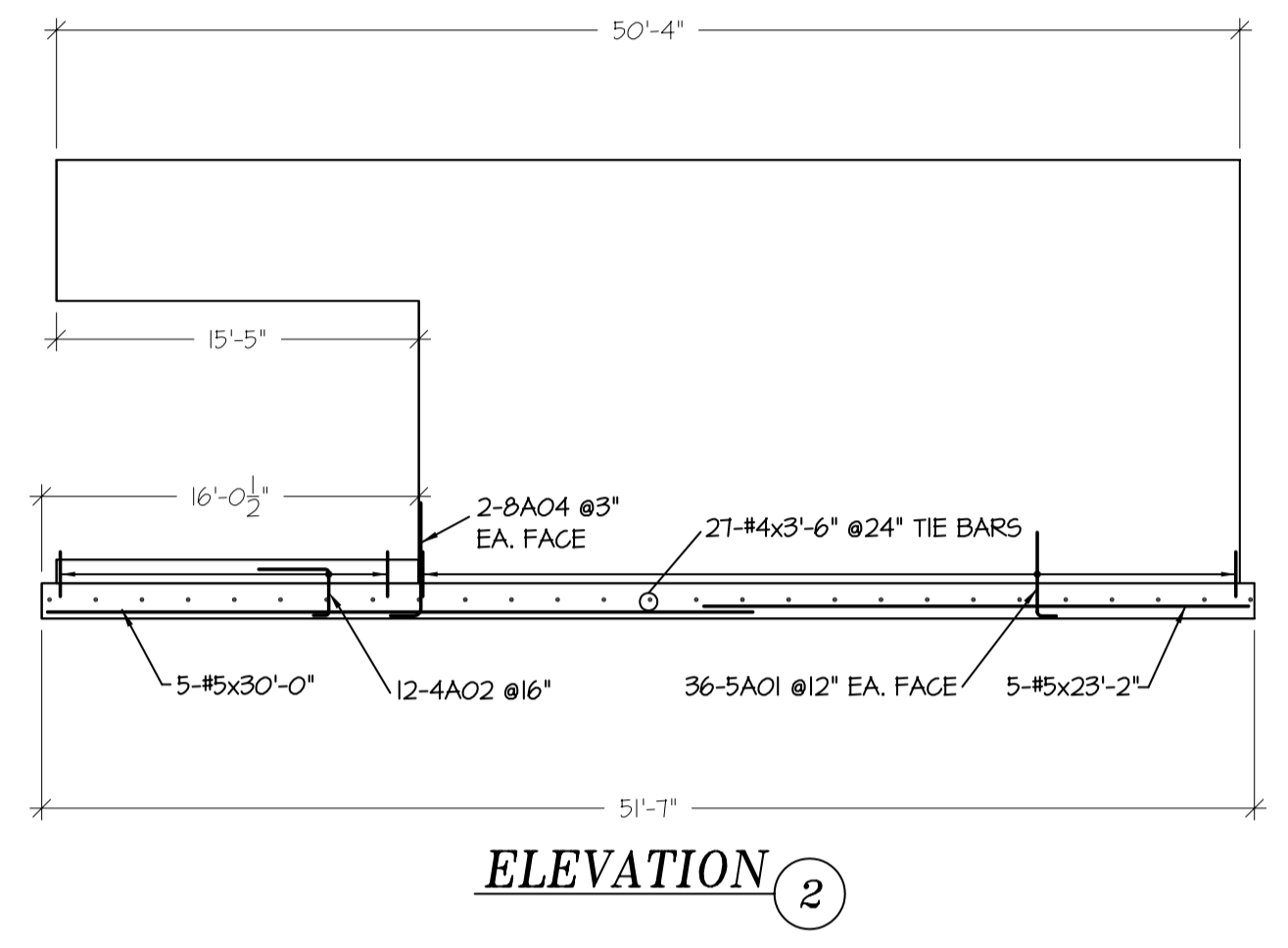
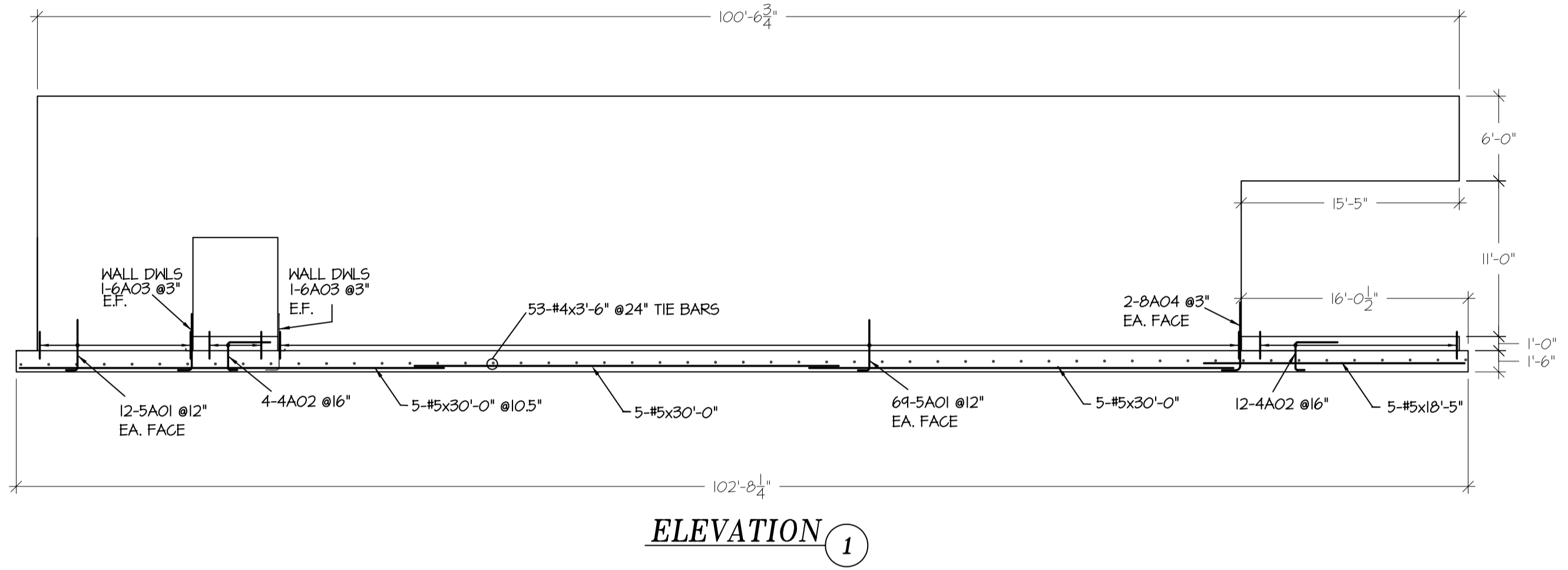
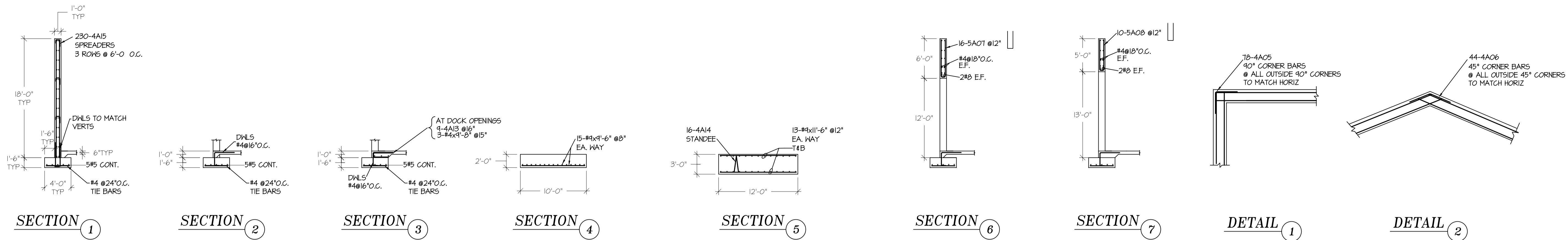
REVISIONS	BY

The full intent and purpose of this drawing is the placing and fabrication of reinforcing steel bars ONLY. It is NOT to be used as a means of communication between Engineer, Contractor or any other Sub-Contractor/Trades.  
Reinforcing steel placing drawings only. Use in conjunction with contract drawings and specifications. This drawing is for detailing purposes only and should not be used for construction unless verified by engineer or contractor.

**MOS**  
Man of Steel Drafting, Inc.  
735 FLANDERS RD. RENO, NV 89511  
(775) 853-6633

THOMSON MANUFACTURING  
XXXXXXXXXXXX  
XXXXXXXXXXXX

MOSDI JOB #	0816
DATE	10/20/2003
DRAWN BY:	DM
PROJECT NAME	WAREHOUSE/DIST.
TITLE OF DWG.	FDN. PLAN
SHEET	



LAP SCHEDULE

- #4 - 20"
- #5 - 25"
- #6 - 30"
- #7 - 35"
- #8 - 40"

- NOTES:
1. 3" CLR TO SOIL
  2. 2" CLR TO FORMS
  3. LAP ALL BARS 40 DIA SEE SCHEDULE
  4. WALL HORIZ CORNERS SEE DETAILS 1&2 ON PAGE 52
  5. STAGGER ALL LAPS

CONTINUOUS FOOTINGS

REVISIONS	BY

The full intent and purpose of this drawing is the placing and fabrication of reinforcing steel bars. It is NOT to be used as a means of communication between the Architect, Engineer, Contractor or any other Sub-Contractor/Trade.

Reinforcing steel placing drawings only. Use in conjunction with contract drawings and specifications. Elevations and dimensions shown in this drawing are for detailing purposes only and should not be used for construction unless verified by engineer or contractor.

**MOSI**  
Man of Steel Drafting, Inc.  
735 FLANDERS RD. RENO, NV 89511  
(775) 853-6633

THOMSON MANUFACTURING  
XXXXXXXXXX  
XXXXXXXXXX  
XXXXXXXXXX  
XXXXXXXXXX  
XXXXXXXXXX

MOSDI JOB #	0816
DATE	10/20/2003
DRAWN BY:	DM
PROJECT NAME	WAREHOUSE/DIST.
TITLE OF DWG.	FTGS/SEC
SHEET	

REVISIONS	BY

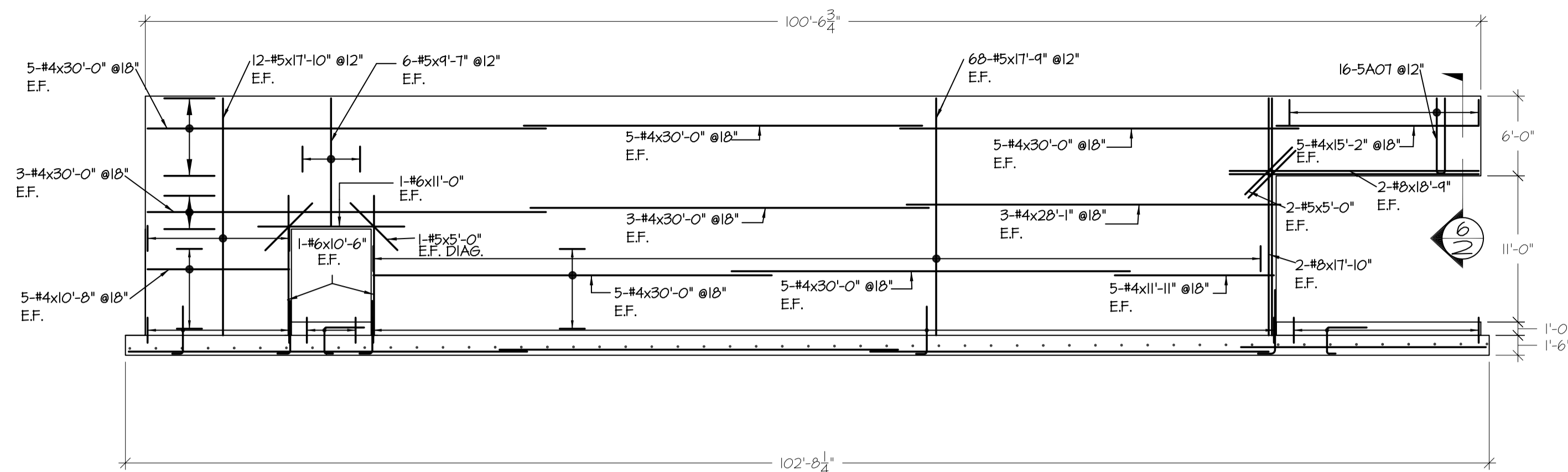
The full intent and purpose of this drawing is the placing and fabrication of reinforcing steel bars ONLY. It is NOT to be used as a means of communication between engineer, contractor or any other Sub-Contractor/Trades.

Reinforcing steel placing drawings only. Use in conjunction with contract drawings and specifications. No other drawings or specifications are to be used for detailing purposes only and should not be used for construction unless verified by engineer or contractor.

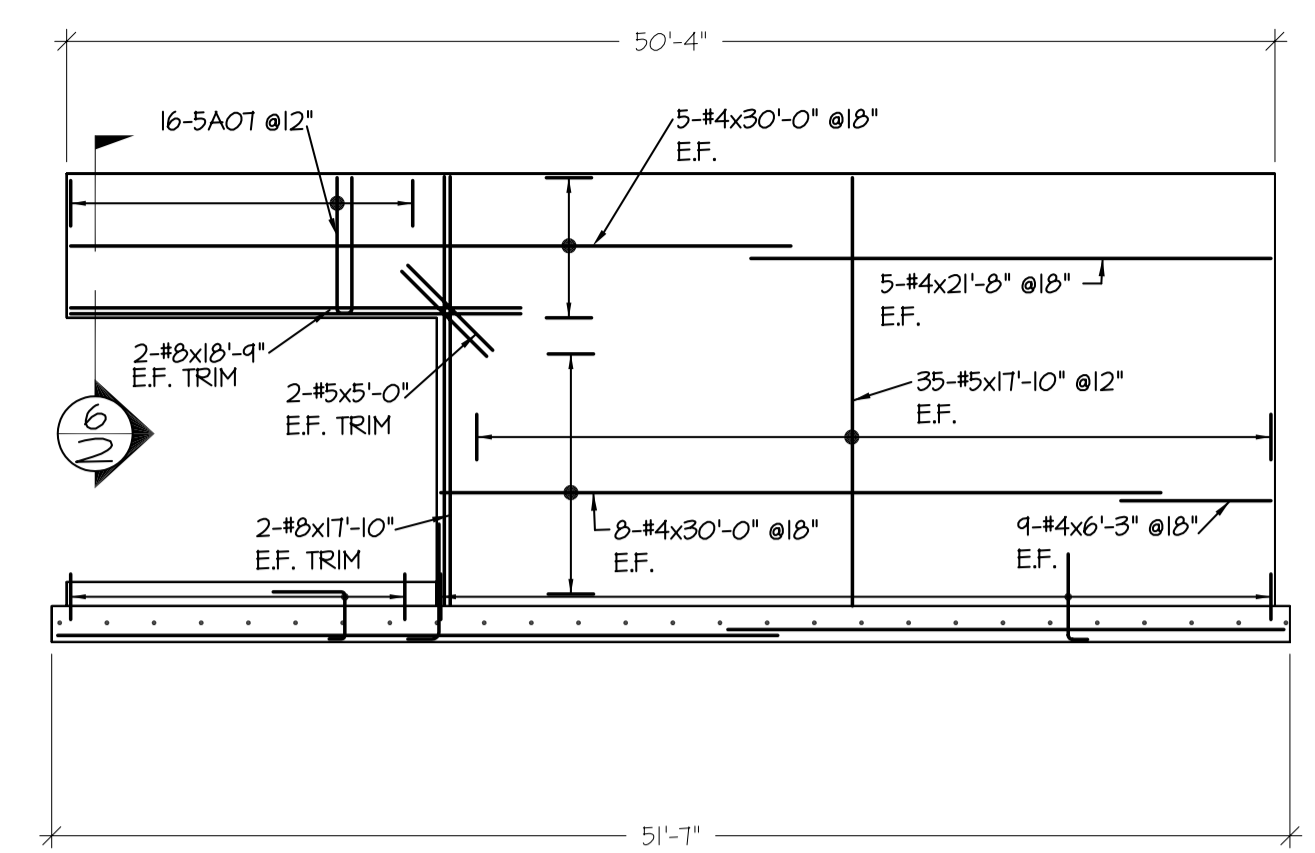
**MOSI**  
 Man of Steel Drafting, Inc.  
 735 FLANDERS RD. RENO, NV 89511  
 (775) 853-6633

**THOMSON MANUFACTURING**  
 XXXXXXXXXXXX  
 XXXXXXXXXXXX  
 XXXXXXXXXXXX

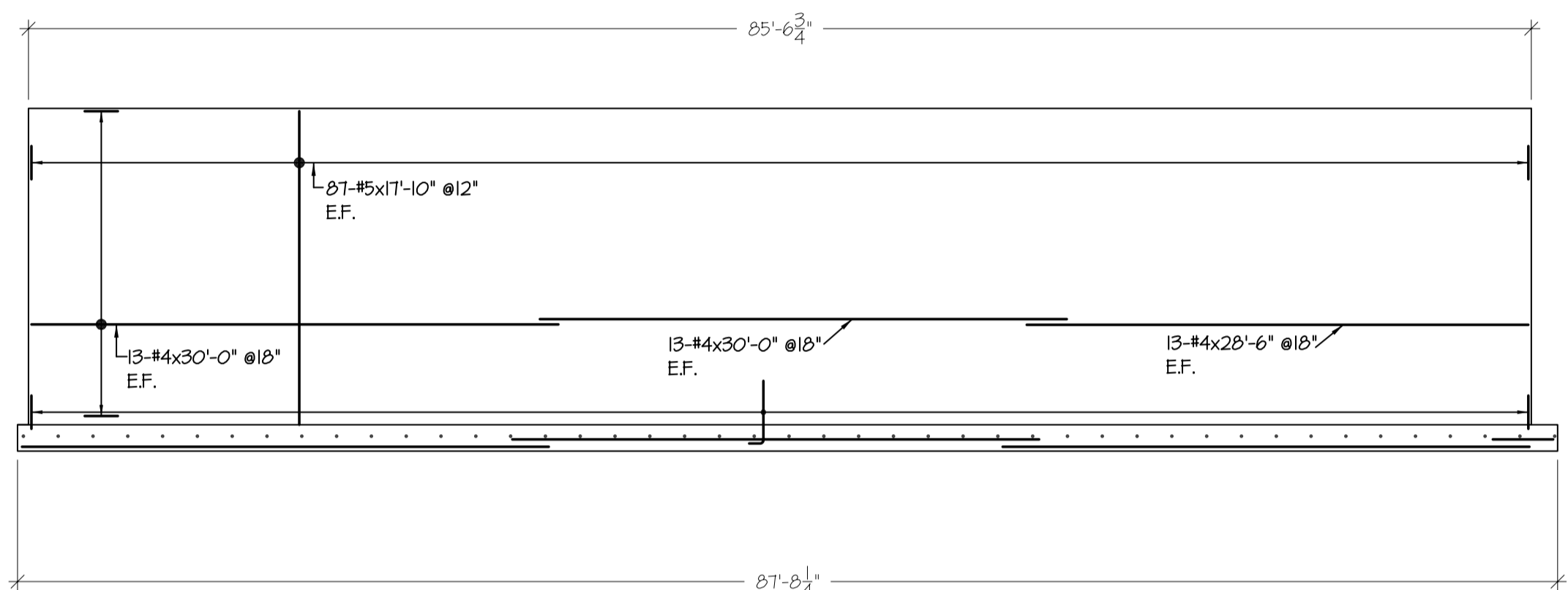
MOSDI JOB #	0816
DATE	10/20/2003
DRAWN BY:	DM
PROJECT NAME	WAREHOUSE/DIST.
TITLE OF DWG.	WALLS
SHEET	



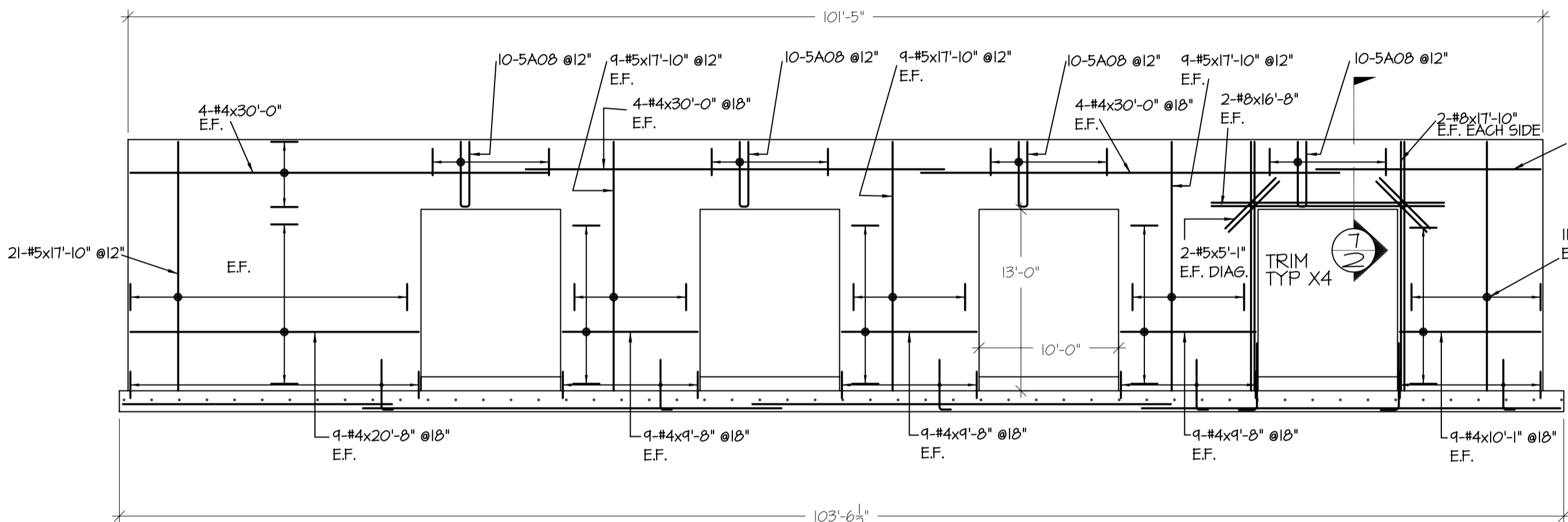
**ELEVATION 1**



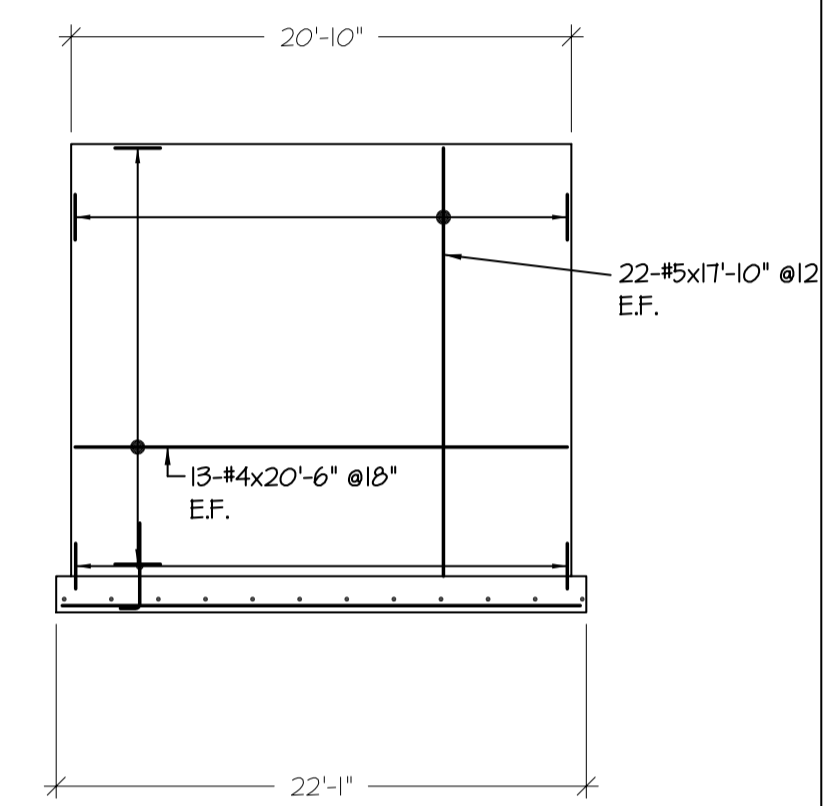
**ELEVATION 2**



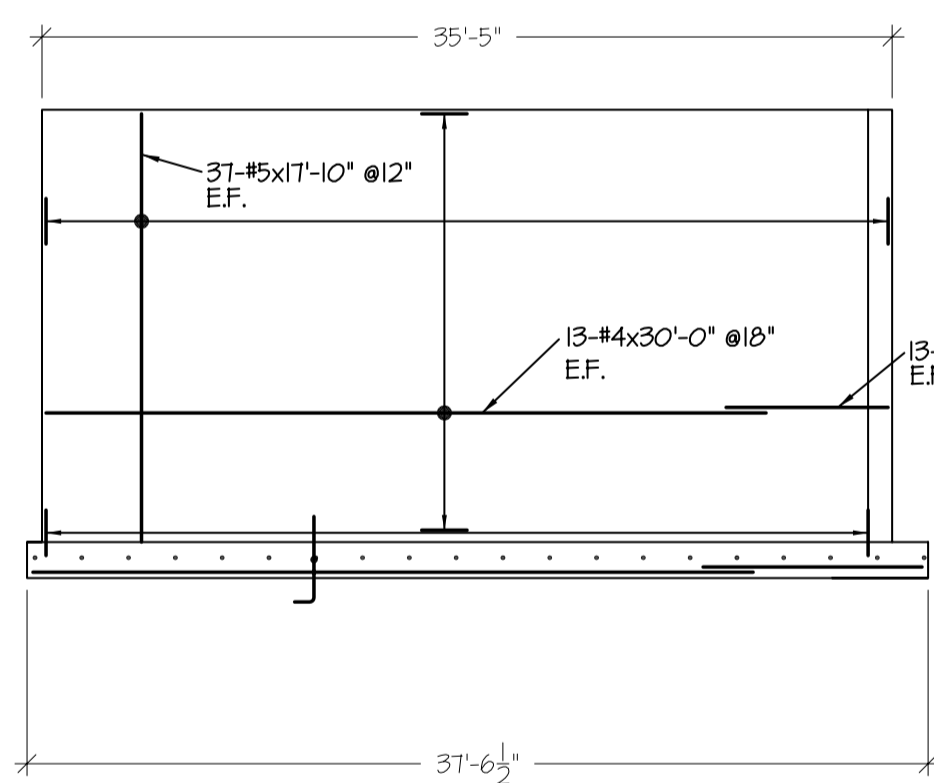
**ELEVATION 3**



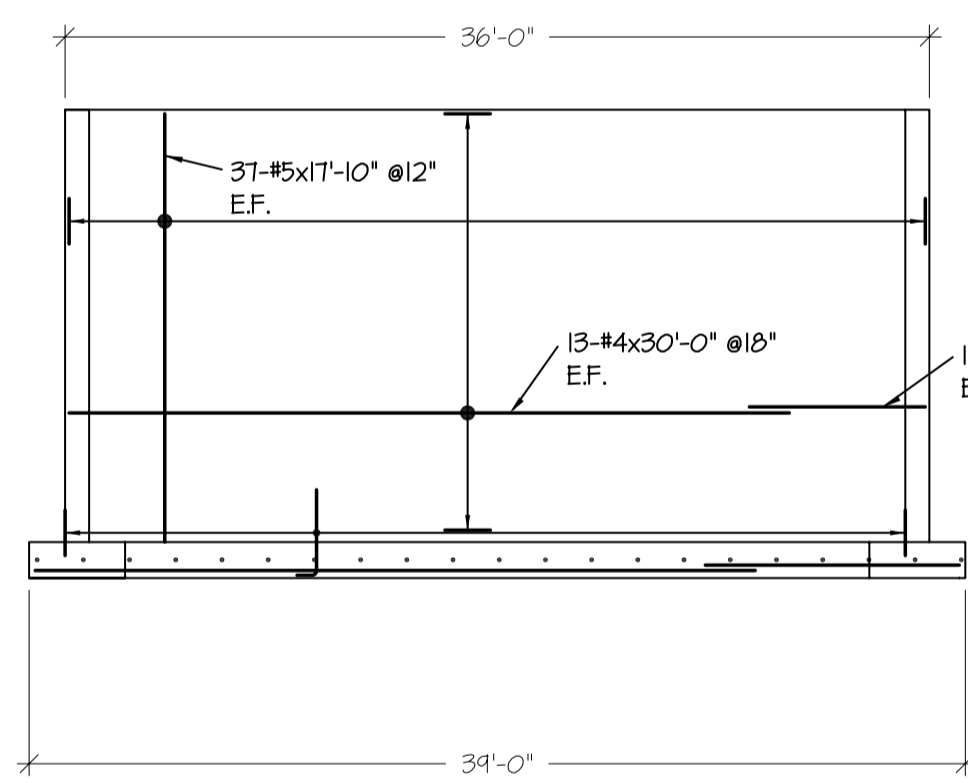
**ELEVATION 4**



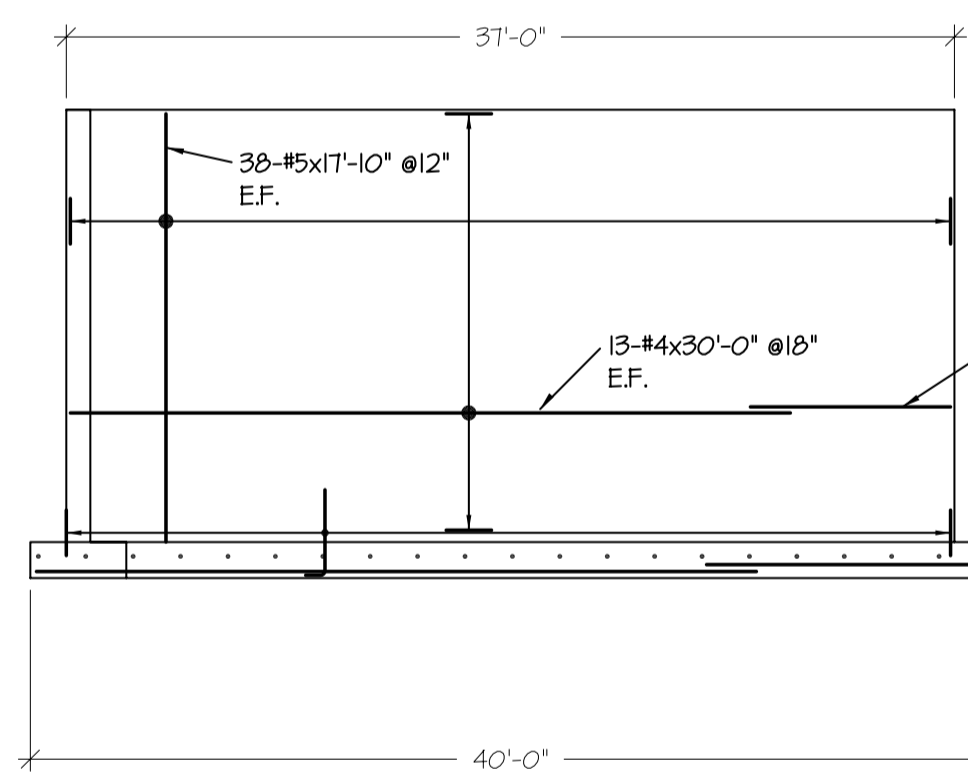
**ELEVATION 5**



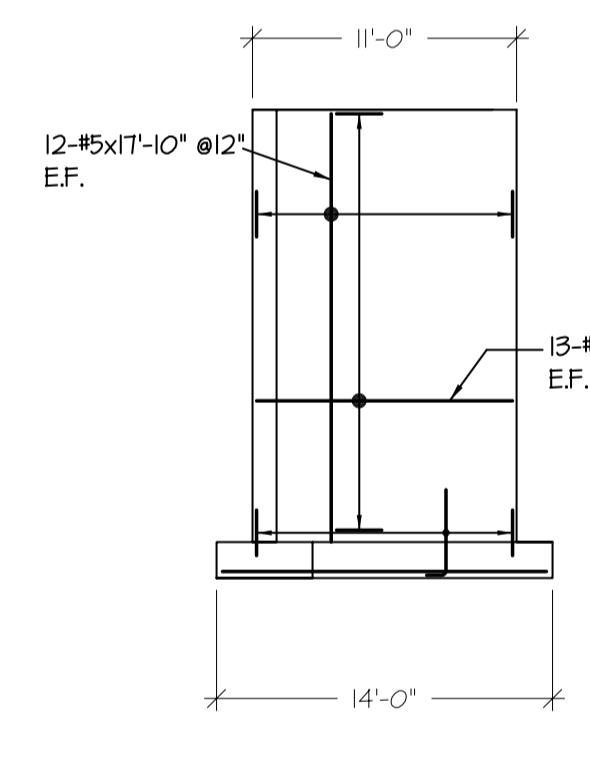
**ELEVATION 6A**



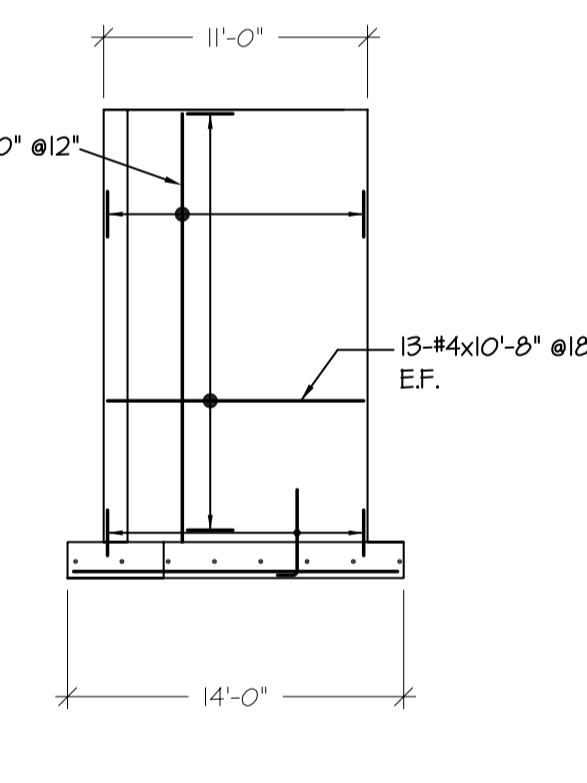
**ELEVATION 6B**



**ELEVATION 6C**



**ELEVATION 7A**



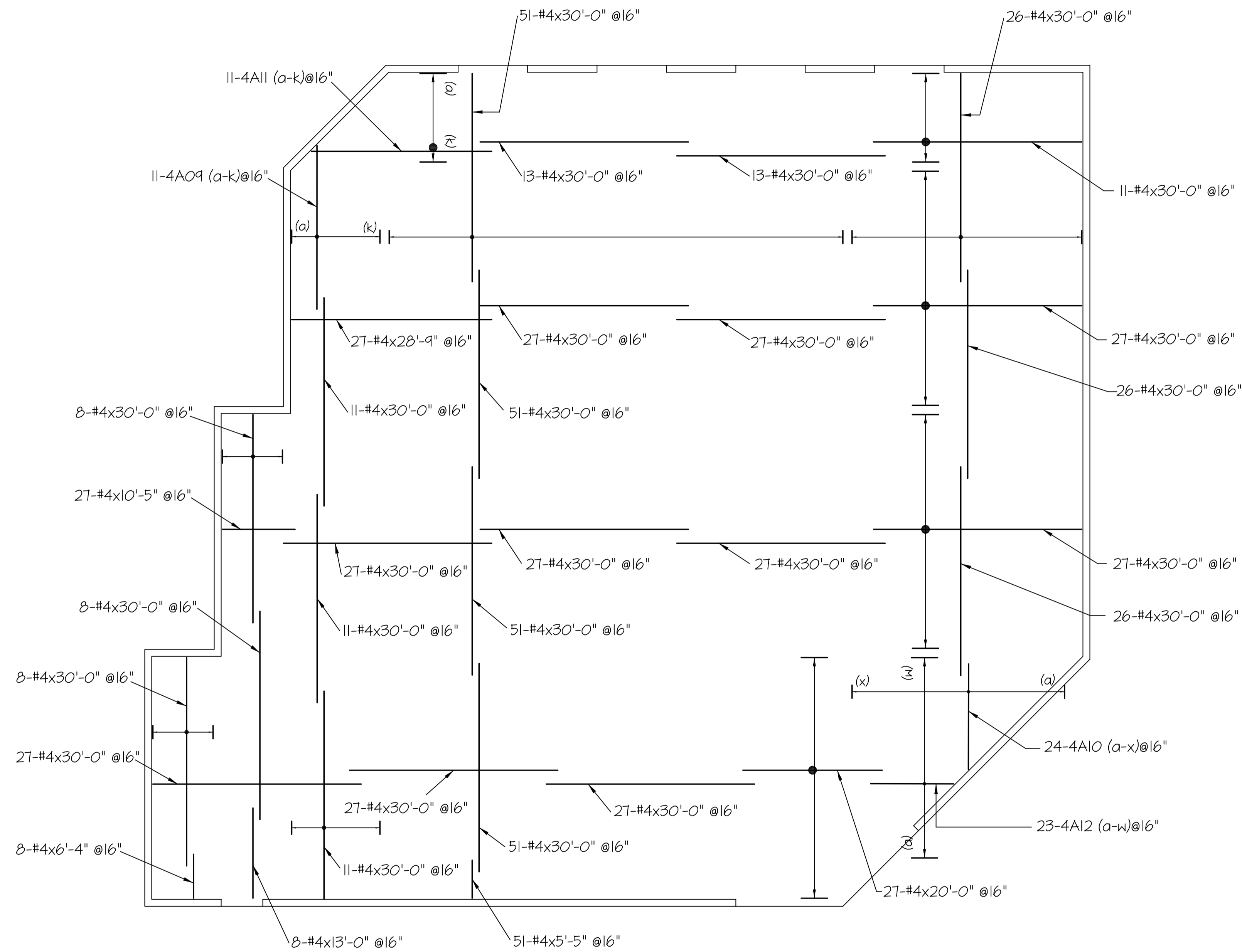
**ELEVATION 7B**

**WALL REINFORCEMENT**

**LAP SCHEDULE**

- #4 - 20"
- #5 - 25"
- #6 - 30"
- #7 - 35"
- #8 - 40"

- NOTES:**
1. 3" CLR TO SOIL
  2. 2" CLR TO FORMS
  3. LAP ALL BARS 40 DIA SEE SCHEDULE
  4. WALL HORIZ CORNERS SEE DETAILS 1&2 ON PAGE S2
  5. STAGGER ALL LAPS



6" SLAB ON GRADE  
WITH #4@ 16"O.C. EA. WAY

LAP SCHEDULE

- #4 - 20"
- #5 - 25"
- #6 - 30"
- #7 - 35"
- #8 - 40"

NOTES:

1. 3" CLR TO SOIL
2. 2" CLR TO FORMS
3. LAP ALL BARS 40 DIA  
SEE SCHEDULE
4. WALL HORIZ CORNERS  
SEE DETAILS 1&2 ON PAGE 52
5. STAGGER ALL LAPS

REVISIONS	BY

The full intent and purpose of this drawing is the placing and fabrication of reinforcing steel bars. It is NOT to be used as a means of communication between the Architect, Engineer, Contractor or any other Sub-Contractor/Trade.  
Reinforcing steel placing drawings only. Use in conjunction with contract drawings and specifications. Elevations and dimensions shown in this drawing are for detailing purposes only and should not be used for construction unless verified by engineer or contractor.

**MOSDI**  
Man of Steel Drafting, INC.  
735 FLANDERS RD. RENO, NV 89511  
(775) 853-6633

**THOMSON MANUFACTURING**  
XXXXXXXXXXXX  
XXXXXXXXXXXX  
XXXXXXXXXXXX

MOSDI JOB # 0816  
DATE 10/20/2003  
DRAWN BY: DM  
PROJECT NAME WAREHOUSE/DIST.  
TITLE OF DWG. FTGS/SEC  
SHEET  
**S4**  
OF 4 SHEETS

Man of Steel Drafting, Inc. - BAR LIST

Reno, NV

JOB NO. 0816

DWG. NO. 54

SHEET 1 OF 16

DATE REVISED

CUSTOMER THOMSON MANUFACTURING

PROJECT 0816

LOCATION XXXXXX

MATERIAL FOR REL. 001-CONT. FTGS

DRAWN BY DM

Item	No. Pcs.	Size	Length	Mark	Type	A	B	C	D	E	F	G	H	J	K	O	R
1	64	#4	5'8"	4A02	17		8"	2'0"	3'0"								
2	268	#4	3'0"				3'6"										
3	854	#5	4'5"	5A01	2	10"	1'7"										
4	85	#5	3'0"				3'0"										
5	5	#5	18'5"				18'5"										
6	5	#5	23'2"				23'2"										
7	5	#5	3'5"				3'5"										
8	5	#5	19'3"				19'3"										
9	5	#5	21'7"				21'7"										
10	5	#5	9'1"				9'1"										
11	5	#5	10'7"				10'7"										
12	5	#5	11'7"				11'7"										
13	10	#5	13'6"				13'6"										
14	4	#6	5'0"	6A03	2	1'0"	4'0"										
15	40	#8	6'2"	5A04	2	1'4"	4'10"										
16																	
17																	
18																	
19																	
20																	
21																	
22																	
23																	
24																	
25																	
26																	
27																	
28																	
29																	
30																	
31																	
32																	
33																	
34																	
35																	
36																	

ALL DIMENSIONS ARE GUT TO GUT  
ALL STEEL ASTM A615 Grade 60

FOR TYPICAL BEND TYPES REFER TO  
ACI DETAILING MANUAL

All dimensions less than 12 in. are given in inches.  
Dimensions 12 in. or greater are given in feet and inches, e.g., 1-3  
(except diameter of spirals which is given in inches).

Man of Steel Drafting, Inc. - BAR LIST  
 Reno, NV

CUSTOMER	THOMSON MANUFACTURING	JOB NO.	0816
PROJECT	0816	DWG NO.	S4
LOCATION	XXXXXX	SHEET	2 OF 16
MATERIAL FOR	REL. 002-SPREAD FTGS	DATE	REVISED
		DRAWN BY	DM

Item	No. Pcs.	Size	Length	Mark	Type	A	B	C	D	E	F	G	H	J	K	O	R
1	16	#4	8'3 1/2'	4A14	25		1'6"	2'4 1/2"	6"	2'4 1/2"	1'6"		2'4 1/2"		8"	6"	
2	60	#9	9'0"				9'6"										
3	52	#9	11'6"				11'6"										
4																	
5																	
6																	
7																	
8																	
9																	
10																	
11																	
12																	
13																	
14																	
15																	
16																	
17																	
18																	
19																	
20																	
21																	
22																	
23																	
24																	
25																	
26																	
27																	
28																	
29																	
30																	
31																	
32																	
33																	
34																	
35																	
36																	

ALL DIMENSIONS ARE OUT TO OUT  
 ALL STEEL ASTM A615 Grade 60

FOR TYPICAL BEND TYPES REFER TO  
 ACI DETAILING MANUAL

All dimensions less than 12 in. are given in inches.  
 Dimensions 12 in. or greater are given in feet and inches, e.g., 1-3  
 (except diameter of spirals which is given in inches).

Man of Steel Drafting, Inc. - BAR LIST

Reno, NV

JOB NO. 0816

DWG. NO. S4

CUSTOMER THOMSON MANUFACTURING

PROJECT 0816

SHEET 3 OF 16

LOCATION XXXXXX

DATE October/28/2003 REVISED

MATERIAL FOR REL. 003-WALLS(CORNERS)

DRAWN BY DM

Item	No. Pcs.	Size	Length	Mark	Type	A	B	C	D	E	F	G	H	J	K	O	R
1	78	#4	3'4"	4A05	17		1'8"	1'8"									
2	44	#4	3'4"	4A06	3		1'8"	1'8"					1'2"		1'2"	2'10"	
3																	
4																	
5																	
6																	
7																	
8																	
9																	
10																	
11																	
12																	
13																	
14																	
15																	
16																	
17																	
18																	
19																	
20																	
21																	
22																	
23																	
24																	
25																	
26																	
27																	
28																	
29																	
30																	
31																	
32																	
33																	
34																	
35																	
36																	

ALL DIMENSIONS ARE OUT TO OUT  
ALL STEEL ASTM A615 Grade 60

FOR TYPICAL BEND TYPES REFER TO  
ACI DETAILING MANUAL

All dimensions less than 12 in. are given in inches.  
Dimensions 12 in. or greater are given in feet and inches, e.g., 1-3  
(except diameter of spirals which is given in inches).

Man of Steel Drafting, Inc. - BAR LIST

Reno, NV

JOB NO. 0816

DWG. NO. S4

SHEET 4 OF 16

DATE REVISED

DRAWN BY DM

CUSTOMER THOMSON MANUFACTURING

PROJECT 0816

LOCATION XXXXXX

MATERIAL FOR REL. 004-WALLS(ELEV 1)

Item	No. Pcs.	Size	Length	Mark	Type	A	B	C	D	E	F	G	H	J	K	O	R
1	230	#4	2'2"	4A15	17		1'0"	8"	6"								
2	10	#4	10'8"				10'8"										
3	42	#4	30'0"				30'0"										
4	10	#4	11'11"				11'11"										
5	6	#4	28'1"				28'1"										
6	10	#4	15'2"				15'2"										
7	16	#5	12'0"	5A07	17		5'8"	8"	5'8"								
8	8	#5	5'0"				5'0"										
9	24	#5	17'10"				17'10"										
10	12	#5	9'7"				9'7"										
11	136	#5	17'9"				17'9"										
12	4	#6	10'6"				10'6"										
13	2	#6	11'0"				11'0"										
14	4	#8	17'10"				17'10"										
15	4	#8	18'9"				18'9"										
16																	
17																	
18																	
19																	
20																	
21																	
22																	
23																	
24																	
25																	
26																	
27																	
28																	
29																	
30																	
31																	
32																	
33																	
34																	
35																	
36																	

ALL DIMENSIONS ARE GUT TO GUT  
ALL STEEL ASTM A615 Grade 60

FOR TYPICAL BEND TYPES REFER TO  
ACI DETAILING MANUAL

All dimensions less than 12 in. are given in inches.  
Dimensions 12 in. or greater are given in feet and inches, e.g., 1-3  
(except diameter of spirals which is given in inches).



Man of Steel Drafting, Inc. - BAR LIST

Reno, NV

JOB NO. 0816

DWG NO. S4

SHEET 5 OF 16

DATE REVISED

DRAWN BY DM

CUSTOMER THOMSON MANUFACTURING

PROJECT 0816

LOCATION XXXXXX

MATERIAL FOR REL. 005-WALLS(ELEV 2)

Item	No. Pcs.	Size	Length	Mark	Type	A	B	C	D	E	F	G	H	J	K	O	R
1	26	#4	30'0"				30'0"										
2	10	#4	21'8"				21'8"										
3	18	#4	6'3"				6'3"										
4	16	#5	12'0"	SA07	17		5'8"	8"	5'8"								
5	4	#5	5'0"				5'0"										
6	70	#5	17'10"				17'10"										
7	4	#8	17'10"				17'10"										
8	4	#8	18'9"				18'9"										
9																	
10																	
11																	
12																	
13																	
14																	
15																	
16																	
17																	
18																	
19																	
20																	
21																	
22																	
23																	
24																	
25																	
26																	
27																	
28																	
29																	
30																	
31																	
32																	
33																	
34																	
35																	
36																	

ALL DIMENSIONS ARE GUT TO GUT  
ALL STEEL ASTM A615 Grade 60

FOR TYPICAL BEND TYPES REFER TO  
ACI DETAILING MANUAL

All dimensions less than 12 in. are given in inches.  
Dimensions 12 in. or greater are given in feet and inches, e.g., 1-3  
(except diameter of spirals which is given in inches).

Man of Steel Drafting, Inc. - BAR LIST

Reno, NV

JOB NO. 0816

DWG NO. S4

SHEET 6 OF 16

DATE DATE REVISED

DRAWN BY DM

CUSTOMER THOMSON MANUFACTURING

PROJECT 0816

LOCATION XXXXXX

MATERIAL FOR REL. 006-WALLS (ELEV.6)

Item	No. Pcs.	Size	Length	Mark	Type	A	B	C	D	E	F	G	H	J	K	O	R
1	52	#4	30'0"				30'0"										
2	26	#4	28'6"				28'6"										
3	174	#5	17'10"				17'10"										
4																	
5																	
6																	
7																	
8																	
9																	
10																	
11																	
12																	
13																	
14																	
15																	
16																	
17																	
18																	
19																	
20																	
21																	
22																	
23																	
24																	
25																	
26																	
27																	
28																	
29																	
30																	
31																	
32																	
33																	
34																	
35																	
36																	

ALL DIMENSIONS ARE OUT TO OUT  
ALL STEEL ASTM A615 Grade 60

FOR TYPICAL BEND TYPES REFER TO  
ACI DETAILING MANUAL

All dimensions less than 12 in. are given in inches.  
Dimensions 12 in. or greater are given in feet and inches, e.g., 1-3  
(except diameter of spirals which is given in inches).

Man of Steel Drafting, Inc. - BAR LIST

Reno, NV

JOB NO. 0816

DWG NO. S4

SHEET 7 OF 16

DATE DATE REVISED

DRAWN BY DM

CUSTOMER THOMSON MANUFACTURING

PROJECT 0816

LOCATION XXXXXX

MATERIAL FOR REL. 007-WALLS (ELEV.4)

Item	No. Pcs.	Size	Length	Mark	Type	A	B	C	D	E	F	G	H	J	K	O	R
1	24	#4	30'0"				30'0"										
2	18	#4	20'8"				20'8"										
3	54	#4	9'8"				9'8"										
4	18	#4	10'1"				10'1"										
5	8	#4	16'1"				16'1"										
6	40	#5	10'0"	5A08	17		4'8"	8"	4'8"								
7	118	#5	17'10"				17'10"										
8	32	#5	5'1"				5'1"										
9	32	#8	17'10"				17'10"										
10	16	#8	16'8"				16'8"										
11																	
12																	
13																	
14																	
15																	
16																	
17																	
18																	
19																	
20																	
21																	
22																	
23																	
24																	
25																	
26																	
27																	
28																	
29																	
30																	
31																	
32																	
33																	
34																	
35																	
36																	

ALL DIMENSIONS ARE GUT TO GUT  
ALL STEEL ASTM A615 Grade 60

FOR TYPICAL BEND TYPES REFER TO  
ACI DETAILING MANUAL

All dimensions less than 12 in. are given in inches.  
Dimensions 12 in. or greater are given in feet and inches, e.g., 1-3  
(except diameter of spirals which is given in inches).

Man of Steel Drafting, Inc. - BAR LIST

Reno, NV

JOB NO. 0816

DWG NO. S4

SHEET 8 OF 16

DATE REVISED

DRAWN BY DM

CUSTOMER THOMSON MANUFACTURING

PROJECT 0816

LOCATION XXXXXX

MATERIAL FOR REL. 008-WALLS (ELEV.5)

Item	No. Pcs.	Size	Length	Mark	Type	A	B	C	D	E	F	G	H	J	K	O	R
1	26	#4	20'6"				20'0"										
2	22	#5	17'10"				17'10"										
3																	
4																	
5																	
6																	
7																	
8																	
9																	
10																	
11																	
12																	
13																	
14																	
15																	
16																	
17																	
18																	
19																	
20																	
21																	
22																	
23																	
24																	
25																	
26																	
27																	
28																	
29																	
30																	
31																	
32																	
33																	
34																	
35																	
36																	

ALL DIMENSIONS ARE OUT TO OUT  
ALL STEEL ASTM A615 Grade 60

FOR TYPICAL BEND TYPES REFER TO  
ACI DETAILING MANUAL

All dimensions less than 12 in. are given in inches.  
Dimensions 12 in. or greater are given in feet and inches, e.g., 1-3  
(except diameter of spirals which is given in inches).

Man of Steel Drafting, Inc. - BAR LIST

Reno, NV

JOB NO. 0816

DWG NO. S4

SHEET 9 OF 16

DATE REVISED

DRAWN BY DM

CUSTOMER THOMSON MANUFACTURING

PROJECT 0816

LOCATION XXXXXX

MATERIAL FOR REL. 009-WALLS (ELEV. 6A)

Item	No. Pcs.	Size	Length	Mark	Type	A	B	C	D	E	F	G	H	J	K	O	R
1	26	#4	30'0"				30'0"										
2	26	#4	6'9"				6'9"										
3	74	#5	17'10"				17'10"										
4																	
5																	
6																	
7																	
8																	
9																	
10																	
11																	
12																	
13																	
14																	
15																	
16																	
17																	
18																	
19																	
20																	
21																	
22																	
23																	
24																	
25																	
26																	
27																	
28																	
29																	
30																	
31																	
32																	
33																	
34																	
35																	
36																	

ALL DIMENSIONS ARE GUT TO GUT  
ALL STEEL ASTM A615 Grade 60

FOR TYPICAL BEND TYPES REFER TO  
ACI DETAILING MANUAL

All dimensions less than 12 in. are given in inches.  
Dimensions 12 in. or greater are given in feet and inches, e.g., 1-3  
(except diameter of spirals which is given in inches).

Man of Steel Drafting, Inc. - BAR LIST

Reno, NV

JOB NO. 0816

DWG NO. S4

SHEET 10 OF 16

DATE DATE REVISED

DRAWN BY DM

CUSTOMER THOMSON MANUFACTURING

PROJECT 0816

LOCATION XXXXXX

MATERIAL FOR REL 010-WALLS (ELEV. 68)

Item	No. Pcs.	Size	Length	Mark	Type	A	B	C	D	E	F	G	H	J	K	O	R
1	26	#4	30'0"				30'0"										
2	26	#4	7'4"				7'4"										
3	74	#5	17'10"				17'10"										
4																	
5																	
6																	
7																	
8																	
9																	
10																	
11																	
12																	
13																	
14																	
15																	
16																	
17																	
18																	
19																	
20																	
21																	
22																	
23																	
24																	
25																	
26																	
27																	
28																	
29																	
30																	
31																	
32																	
33																	
34																	
35																	
36																	

ALL DIMENSIONS ARE OUT TO OUT  
ALL STEEL ASTM A615 Grade 60

FOR TYPICAL BEND TYPES REFER TO  
ACI DETAILING MANUAL

All dimensions less than 12 in. are given in inches.  
Dimensions 12 in. or greater are given in feet and inches, e.g., 1-3  
(except diameter of spirals which is given in inches).

Man of Steel Drafting, Inc. - BAR LIST

Reno, NV

JOB NO. 0816

DWG NO. S4

SHEET 11 OF 16

DATE REVISED

DRAWN BY DM

CUSTOMER THOMSON MANUFACTURING

PROJECT 0816

LOCATION XXXXXX

MATERIAL FOR REL 011-WALLS (ELEV.6C)

Item	No. Pcs.	Size	Length	Mark	Type	A	B	C	D	E	F	G	H	J	K	O	R
1	26	#4	30'0"				30'0"										
2	26	#4	8'4"				8'4"										
3	76	#5	17'10"				17'10"										
4																	
5																	
6																	
7																	
8																	
9																	
10																	
11																	
12																	
13																	
14																	
15																	
16																	
17																	
18																	
19																	
20																	
21																	
22																	
23																	
24																	
25																	
26																	
27																	
28																	
29																	
30																	
31																	
32																	
33																	
34																	
35																	
36																	

ALL DIMENSIONS ARE OUT TO OUT  
ALL STEEL ASTM A615 Grade 60

FOR TYPICAL BEND TYPES REFER TO  
ACI DETAILING MANUAL

All dimensions less than 12 in. are given in inches.  
Dimensions 12 in. or greater are given in feet and inches, e.g., 1-3  
(except diameter of spirals which is given in inches).

Man of Steel Drafting, Inc. - BAR LIST

Reno, NV

JOB NO. 0816

DWG NO. S4

SHEET 12 OF 16

DATE REVISED

DRAWN BY DM

CUSTOMER THOMSON MANUFACTURING

PROJECT 0816

LOCATION XXXXXX

MATERIAL FOR REL 012-WALLS (ELEV.7A)

Item	No. Pcs.	Size	Length	Mark	Type	A	B	C	D	E	F	G	H	J	K	O	R
1	26	#4	10'8"				10'8"										
2	24	#5	17'10"				17'10"										
3																	
4																	
5																	
6																	
7																	
8																	
9																	
10																	
11																	
12																	
13																	
14																	
15																	
16																	
17																	
18																	
19																	
20																	
21																	
22																	
23																	
24																	
25																	
26																	
27																	
28																	
29																	
30																	
31																	
32																	
33																	
34																	
35																	
36																	

ALL DIMENSIONS ARE OUT TO OUT  
ALL STEEL ASTM A615 Grade 60

FOR TYPICAL BEND TYPES REFER TO  
ACI DETAILING MANUAL

All dimensions less than 12 in. are given in inches.  
Dimensions 12 in. or greater are given in feet and inches, e.g., 1-3  
(except diameter of spirals which is given in inches).



Man of Steel Drafting, Inc. - BAR LIST

Reno, NV

JOB NO. 0816

DWG NO. S4

SHEET 13 OF 16

DATE REVISED

DRAWN BY DM

CUSTOMER THOMSON MANUFACTURING

PROJECT 0816

LOCATION XXXXXX

MATERIAL FOR REL 013-WALLS (ELEV.78)

Item	No. Pcs.	Size	Length	Mark	Type	A	B	C	D	E	F	G	H	J	K	O	R
1	26	#4	10'8"				10'8"										
2	24	#5	17'10"				17'10"										
3																	
4																	
5																	
6																	
7																	
8																	
9																	
10																	
11																	
12																	
13																	
14																	
15																	
16																	
17																	
18																	
19																	
20																	
21																	
22																	
23																	
24																	
25																	
26																	
27																	
28																	
29																	
30																	
31																	
32																	
33																	
34																	
35																	
36																	

ALL DIMENSIONS ARE OUT TO OUT  
ALL STEEL ASTM A615 Grade 60

FOR TYPICAL BEND TYPES REFER TO  
ACI DETAILING MANUAL

All dimensions less than 12 in. are given in inches.  
Dimensions 12 in. or greater are given in feet and inches, e.g., 1-3  
(except diameter of spirals which is given in inches).

Man of Steel Drafting, Inc. - BAR LIST

Reno, NV

JOB NO. 0816  
 DWG. NO. S4  
 SHEET 14 OF 16  
 DATE  
 DRAWN BY DM

CUSTOMER THOMSON MANUFACTURING  
 PROJECT 0816  
 LOCATION XXXXXX  
 MATERIAL FOR REL 014-SOG

Item	No. Pcs.	Size	Length	Mark	Type	A	B	C	D	E	F	G	H	J	K	O	R
1	1	#4	19'11"	4A09a			19'11"										
2	1	#4	21'4"	4A09b			21'4"										
3	1	#4	22'8"	4A09c			22'8"										
4	1	#4	24'1"	4A09d			24'1"										
5	1	#4	25'6"	4A09e			25'6"										
6	1	#4	26'11"	4A09f			26'11"										
7	1	#4	28'4"	4A09g			28'4"										
8	1	#4	29'9"	4A09h			29'9"										
9	1	#4	31'2"	4A09i			31'2"										
10	1	#4	32'6"	4A09j			32'6"										
11	1	#4	33'11"	4A09k			33'11"										
12	1	#4	4"	4A10a			4"										
13	1	#4	1'9"	4A10b			1'9"										
14	1	#4	3'2"	4A10c			3'2"										
15	1	#4	4'7"	4A10d			4'7"										
16	1	#4	6'0"	4A10e			6'0"										
17	1	#4	7'5"	4A10f			7'5"										
18	1	#4	8'11"	4A10g			8'11"										
19	1	#4	10'4"	4A10h			10'4"										
20	1	#4	11'9"	4A10i			11'9"										
21	1	#4	13'2"	4A10j			13'2"										
22	1	#4	14'7"	4A10k			14'7"										
23	1	#4	16'1"	4A10l			16'1"										
24	1	#4	17'6"	4A10m			17'6"										
25	1	#4	18'11"	4A10n			18'11"										
26	1	#4	20'4"	4A10o			20'4"										
27	1	#4	21'9"	4A10p			21'9"										
28	1	#4	23'2"	4A10q			23'2"										
29	1	#4	24'8"	4A10r			24'8"										
30	1	#4	26'1"	4A10s			26'1"										
31	1	#4	27'6"	4A10t			27'6"										
32	1	#4	28'11"	4A10u			28'11"										
33	1	#4	30'4"	4A10v			30'4"										
34	1	#4	31'10"	4A10w			31'10"										
35	1	#4	33'3"	4A10x			33'3"										
36	1	#4	14'8"	4A11a			14'8"										

ALL DIMENSIONS ARE GUT TO GUT  
 ALL STEEL ASTM A615 Grade 60

FOR TYPICAL BEND TYPES REFER TO  
 ACI DETAILING MANUAL

All dimensions less than 12 in. are given in inches.  
 Dimensions 12 in. or greater are given in feet and inches, e.g., 1-3  
 (except diameter of spirals which is given in inches).

## Man of Steel Drafting, Inc. - BAR LIST

Reno, NV

JOB NO. 0816

DWG NO. S4

SHEET 15 OF 16

DATE REVISED

DRAWN BY DM

CUSTOMER THOMSON MANUFACTURING

PROJECT 0816

LOCATION XXXXXX

MATERIAL FOR REL. 014-SOG

Item	No. Pcs.	Size	Length	Mark	Type	A	B	C	D	E	F	G	H	J	K	O	R
1	1	#4	161"	4A11b			161"										
2	1	#4	179"	4A11c			179"										
3	1	#4	1811"	4A11d			1811"										
4	1	#4	204"	4A11e			204"										
5	1	#4	219"	4A11f			219"										
6	1	#4	232"	4A11g			232"										
7	1	#4	247"	4A11h			247"										
8	1	#4	2511"	4A11i			2511"										
9	1	#4	274"	4A11j			274"										
10	1	#4	289"	4A11k			289"										
11	1	#4	4"	4A12a			4"										
12	1	#4	18"	4A12b			18"										
13	1	#4	30"	4A12c			30"										
14	1	#4	44"	4A12d			44"										
15	1	#4	59"	4A12e			59"										
16	1	#4	71"	4A12f			71"										
17	1	#4	85"	4A12g			85"										
18	1	#4	99"	4A12h			99"										
19	1	#4	112"	4A12i			112"										
20	1	#4	126"	4A12j			126"										
21	1	#4	1310"	4A12k			1310"										
22	1	#4	153"	4A12l			153"										
23	1	#4	167"	4A12m			167"										
24	1	#4	1711"	4A12n			1711"										
25	1	#4	193"	4A12o			193"										
26	1	#4	208"	4A12p			208"										
27	1	#4	220"	4A12q			220"										
28	1	#4	234"	4A12r			234"										
29	1	#4	249"	4A12s			249"										
30	1	#4	261"	4A12t			261"										
31	1	#4	275"	4A12u			275"										
32	1	#4	289"	4A12v			289"										
33	1	#4	302"	4A12w			302"										
34	36	#4	571"	4A13	17		30"	8"	23"								
35	620	#4	300"				300"										
36	12	#4	98"				98"										

ALL DIMENSIONS ARE OUT TO CUT  
ALL STEEL ASTM A615 Grade 60FOR TYPICAL BEND TYPES REFER TO  
ACI DETAILING MANUALAll dimensions less than 12 in. are given in inches.  
Dimensions 12 in. or greater are given in feet and inches, e.g., 1-3  
(except diameter of spirals which is given in inches).

Man of Steel Drafting, Inc. - BAR LIST

Reno, NV

JOB NO. 0816

DWG NO. S4

CUSTOMER THOMSON MANUFACTURING

PROJECT 0816

SHEET 16 OF 16

LOCATION XXXXXX

DATE REVISED

MATERIAL FOR REL 014-SOG

DRAWN BY DM

Item	No. Pcs.	Size	Length	Mark	Type	A	B	C	D	E	F	G	H	J	K	O	R
1	51	#4	5'5"				5'5"										
2	8	#4	13'0"				13'0"										
3	8	#4	6'4"				6'4"										
4	26	#4	3'0"				3'0"										
5	27	#4	28'9"				28'9"										
6	27	#4	10'5"				10'5"										
7	27	#4	3'0"				3'0"										
8																	
9																	
10																	
11																	
12																	
13																	
14																	
15																	
16																	
17																	
18																	
19																	
20																	
21																	
22																	
23																	
24																	
25																	
26																	
27																	
28																	
29																	
30																	
31																	
32																	
33																	
34																	
35																	
36																	

ALL DIMENSIONS ARE GUT TO GUT  
ALL STEEL ASTM A615 Grade 60

FOR TYPICAL BEND TYPES REFER TO  
ACI DETAILING MANUAL

All dimensions less than 12 in. are given in inches.  
Dimensions 12 in. or greater are given in feet and inches, e.g., 1-3  
(except diameter of spirals which is given in inches).

REBAR-CAD BAR WEIGHTINGS

CADS-USA INC.

JOB NO. 0816  
 DWG NO. S4  
 SHEET 1 OF 16  
 DATE  
 DRAWN BY DM REVISÉ

CUSTOMER THOMSON MANUFACTURING  
 PROJECT 0816  
 LOCATION XXXXXX  
 MATERIAL FOR REL. 001-CONT. FTGS

Item	No. Pcs.	Size	Length	Mark	Type	Weight Of One Bar	Total Weight
1	64	#4	5'8"	AA2	17	3.79	242.26
2	268	#4	5'0"			2.34	626.58
3	854	#5	4'5"	AA21	2	4.63	3934.02
4	65	#5	3'00"			31.29	2033.05
5	5	#5	18'5"			19.21	96.04
6	5	#5	22'2"			24.36	120.81
7	8	#5	15'			3.56	17.62
8	5	#5	19'3"			20.06	100.29
9	5	#5	21'7"			22.51	112.56
10	5	#5	9'3"			9.47	47.37
11	8	#5	10'7"			11.04	55.19
12	5	#5	11'7"			12.06	60.41
13	10	#5	13'6"			14.08	140.80
14	4	#6	5'0"	AA33	2	7.51	30.04
15	40	#8	6'2"	AA24	2	16.46	658.60
16							
17							
18							
19							
20							
21							
22							
23							
24							
25							
26							
27							
28							
29							
30							
31							
32							
33							
34							
35							
36							

Total Weight Of Page 8276.75  
 Total Weight Of All Bars 56620.20

ALL STEEL A615 Grade 60

REBAR-CAD BAR WEIGHTINGS

CADS-USA INC.

JOB NO. 0816

DWG NO. S4

SHEET 2 OF 16

DATE DATE REVISED

DRAWN BY DM

CUSTOMER THOMSON MANUFACTURING  
 PROJECT 0816  
 LOCATION XXXXXX  
 MATERIAL FOR REL. 002-SPREAD FTGS

Item	No. Pcs.	Size	Length	Mark	Type	Weight Of One Bar	Total Weight
1	16	#4	8'3.30"	A414	25	5.54	88.62
2	60	#9	9'0"			32.30	1938.00
3	52	#9	11'6"			39.50	2053.20
4							
5							
6							
7							
8							
9							
10							
11							
12							
13							
14							
15							
16							
17							
18							
19							
20							
21							
22							
23							
24							
25							
26							
27							
28							
29							
30							
31							
32							
33							
34							
35							
36							

ALL STEEL A615 Grade 60

Total Weight Of Page 499.82

Total Weight Of All Bars 56620.20

REBAR-CAD BAR WEIGHTINGS

CADS-USA INC.

JOB NO. 0816  
 DWG NO. S4  
 SHEET 3 OF 16  
 DATE October/28/2003 REVISED  
 DRAWN BY DM

CUSTOMER THOMSON MANUFACTURING  
 PROJECT 0816  
 LOCATION XXXXXX  
 MATERIAL FOR REL. 003-WALLS(CORNERS)

Item	No. Pcs.	Size	Length	Mark	Type	Weight Of One Bar	Total Weight
1	78	#4	3'4"	AAS5	17	2.23	173.68
2	44	#4	3'4"	AAS6	3	2.23	97.92
3							
4							
5							
6							
7							
8							
9							
10							
11							
12							
13							
14							
15							
16							
17							
18							
19							
20							
21							
22							
23							
24							
25							
26							
27							
28							
29							
30							
31							
32							
33							
34							
35							
36							

ALL STEEL A615 Grade 60

Total Weight Of Page 271.68  
 Total Weight Of All Bars 56620.20

REBAR-CAD BAR WEIGHTINGS

CADS-USA INC.

JOB NO. 0816  
 DWG NO. S4  
 SHEET 4 OF 16  
 DATE  
 DRAWN BY DM REVISED

CUSTOMER THOMSON MANUFACTURING  
 PROJECT 0816  
 LOCATION XXXXXX  
 MATERIAL FOR REL. 004-WALLS(ELEV 1)

Item	No. Pcs.	Size	Length	Mark	Type	Weight Of One Bar	Total Weight
1	230	#4	2'2"	AA15	17	1.45	332.89
2	10	#4	108"			7.13	71.26
3	42	#4	300"			20.04	1242.48
4	10	#4	11'11"			7.96	79.60
5	6	#4	28'1"			18.76	112.56
6	10	#4	15'2"			10.13	101.31
7	16	#5	12'0"	AA07	17	12.52	200.26
8	8	#5	9'0"			5.21	41.72
9	24	#5	17'10"			18.60	446.40
10	12	#5	9'2"			10.90	119.84
11	136	#5	17'9"			18.51	2517.80
12	4	#6	10'0"			15.77	63.08
13	2	#6	11'0"			16.52	33.04
14	4	#8	17'10"			47.61	190.46
15	4	#8	18'9"			50.08	200.25
16							
17							
18							
19							
20							
21							
22							
23							
24							
25							
26							
27							
28							
29							
30							
31							
32							
33							
34							
35							
36							

Total Weight Of Page 5753.04  
 Total Weight Of All Bars 58620.20

ALL STEEL A615 Grade 60



REBAR-CAD BAR WEIGHTINGS

CADS-USA INC.

JOB NO. 0816  
 DWG NO. S4  
 SHEET 5 OF 16  
 DATE  
 DRAWN BY DM  
 REVISED

CUSTOMER THOMSON MANUFACTURING  
 PROJECT 0816  
 LOCATION XXXXXX  
 MATERIAL FOR REL. 005-WALLS(ELEV 2)

Item	No. Pcs.	Size	Length	Mark	Type	Weight Of One Bar	Total Weight
1	26	#4	30'0"			20.04	521.04
2	10	#4	2'18"			14.47	144.73
3	18	#4	6'3"			4.17	75.15
4	16	#5	12'0"	SA07	17	12.52	200.26
5	4	#5	3'0"			5.21	20.86
6	30	#5	17'10"			18.60	1302.01
7	4	#8	17'10"			47.61	190.46
8	4	#8	16'9"			50.06	200.25
9							
10							
11							
12							
13							
14							
15							
16							
17							
18							
19							
20							
21							
22							
23							
24							
25							
26							
27							
28							
29							
30							
31							
32							
33							
34							
35							
36							

Total Weight Of Page 2664.76  
 Total Weight Of All Bars 56620.20

ALL STEEL A615 Grade 60

REBAR-CAD BAR WEIGHTINGS

CADS-USA INC.

JOB NO. 0816

DWG NO. S4

SHEET 6 OF 16

DATE REVISED

DRAWN BY DM

CUSTOMER THOMSON MANUFACTURING  
 PROJECT 0816  
 LOCATION XXXXXX  
 MATERIAL FOR REL. 006-WALLS (ELEV.6)

Item	No. Pcs.	Size	Length	Mark	Type	Weight Of One Bar	Total Weight
1	52	#4	300'			20.04	1042.08
2	26	#4	284'			19.54	494.99
3	114	#5	1710'			18.60	2120.40
4							
5							
6							
7							
8							
9							
10							
11							
12							
13							
14							
15							
16							
17							
18							
19							
20							
21							
22							
23							
24							
25							
26							
27							
28							
29							
30							
31							
32							
33							
34							
35							
36							

Total Weight Of Page 4773.50  
 Total Weight Of All Bars 56620.20

ALL STEEL A615 Grade 60

REBAR-CAD BAR WEIGHTINGS

CADS-USA INC.

JOB NO. 0816  
 DWG NO. S4  
 SHEET 7 OF 16  
 DATE  
 DRAWN BY DM REVISED

CUSTOMER THOMSON MANUFACTURING  
 PROJECT 0816  
 LOCATION XXXXXX  
 MATERIAL FOR REL. 007-WALLS (ELEV.4)

Item	No. Pcs.	Size	Length	Mark	Type	Weight Of One Bar	Total Weight
1	24	#4	30'0"			20.04	480.96
2	18	#4	20'0"			13.81	248.50
3	54	#4	9'0"			6.46	348.70
4	18	#4	10'1"			6.74	121.29
5	8	#4	14'1"			10.74	85.95
6	40	#5	10'0"	SACB	17	10.43	417.20
7	118	#5	17'10"			18.60	2194.80
8	32	#5	8'1"			5.30	169.66
9	32	#8	17'10"			47.61	1523.68
10	16	#8	16'0"			44.50	712.00
11							
12							
13							
14							
15							
16							
17							
18							
19							
20							
21							
22							
23							
24							
25							
26							
27							
28							
29							
30							
31							
32							
33							
34							
35							
36							

Total Weight Of Page 6352.70  
 Total Weight Of All Bars 59620.20

ALL STEEL A615 Grade 60

REBAR-CAD BAR WEIGHTINGS

CADS-USA INC.

JOB NO. 0816  
 DWG NO. S4  
 SHEET 8 OF 16  
 DATE  
 DRAWN BY DM REVISED

CUSTOMER THOMSON MANUFACTURING  
 PROJECT 0816  
 LOCATION XXXXXX  
 MATERIAL FOR REL. 008-WALLS (ELEV.5)

Item	No. Pcs.	Size	Length	Mark	Type	Weight Of One Bar	Total Weight
1	26	#4	20'6"			13.69	356.04
2	22	#5	17'10"			18.60	409.20
3							
4							
5							
6							
7							
8							
9							
10							
11							
12							
13							
14							
15							
16							
17							
18							
19							
20							
21							
22							
23							
24							
25							
26							
27							
28							
29							
30							
31							
32							
33							
34							
35							
36							

ALL STEEL A615 Grade 60

Total Weight Of Page 766.25  
 Total Weight Of All Bars 56620.20

REBAR-CAD BAR WEIGHTINGS

CADS-USA INC.

JOB NO. 0816  
 DWG NO. S4  
 SHEET 9 OF 16  
 DATE  
 DRAWN BY DM REVISED

CUSTOMER THOMSON MANUFACTURING  
 PROJECT 0816  
 LOCATION XXXXXX  
 MATERIAL FOR REL. 009-WALLS (ELEV. 6A)

Item	No. Pcs.	Size	Length	Mark	Type	Weight Of One Bar	Total Weight
1	26	#4	300'			20.04	521.04
2	26	#4	6'9"			4.51	117.23
3	74	#5	17'10"			18.60	1376.41
4							
5							
6							
7							
8							
9							
10							
11							
12							
13							
14							
15							
16							
17							
18							
19							
20							
21							
22							
23							
24							
25							
26							
27							
28							
29							
30							
31							
32							
33							
34							
35							
36							

ALL STEEL A615 Grade 60

Total Weight Of Page 2014.69  
 Total Weight Of All Bars 56620.20

REBAR-CAD BAR WEIGHTINGS

CADS-USA INC.

JOB NO. 0816  
 DWG NO. S4  
 SHEET 10 OF 16  
 DATE  
 DRAWN BY DM REVISED

CUSTOMER THOMSON MANUFACTURING  
 PROJECT 0816  
 LOCATION XXXXXX  
 MATERIAL FOR REL. 010-WALLS (ELEV. 68)

Item	No. Pcs.	Size	Length	Mark	Type	Weight Of One Bar	Total Weight
1	26	#4	300'			20.04	521.04
2	26	#4	7'			4.90	127.37
3	74	#5	17'10"			18.60	1376.41
4							
5							
6							
7							
8							
9							
10							
11							
12							
13							
14							
15							
16							
17							
18							
19							
20							
21							
22							
23							
24							
25							
26							
27							
28							
29							
30							
31							
32							
33							
34							
35							
36							

ALL STEEL	A615 Grade 60	Total Weight Of Page	2024.82
		Total Weight Of All Bars	59620.20

REBAR-CAD BAR WEIGHTINGS

CADS-USA INC.

JOB NO. 0816

DWG NO. S4

SHEET 11 OF 16

DATE REVISED

DRAWN BY DM

CUSTOMER THOMSON MANUFACTURING  
 PROJECT 0816  
 LOCATION XXXXXX  
 MATERIAL FOR REL. 011-WALLS (ELEV.6C)

Item	No. Pcs.	Size	Length	Mark	Type	Weight Of One Bar	Total Weight
1	26	#4	300'			20.04	521.04
2	26	#4	8'			5.57	144.73
3	76	#5	17'10"			18.60	1413.60
4							
5							
6							
7							
8							
9							
10							
11							
12							
13							
14							
15							
16							
17							
18							
19							
20							
21							
22							
23							
24							
25							
26							
27							
28							
29							
30							
31							
32							
33							
34							
35							
36							

Total Weight Of Page 2079.39

Total Weight Of All Bars 56620.20

ALL STEEL A615 Grade 60

REBAR-CAD BAR WEIGHTINGS

CADS-USA INC.

JOB NO. 0816  
 DWG NO. S4  
 SHEET 12 OF 16  
 DATE  
 DRAWN BY DM REVISED

CUSTOMER THOMSON MANUFACTURING  
 PROJECT 0816  
 LOCATION XXXXXX  
 MATERIAL FOR REL. 012-WALLS (ELEV.7A)

Item	No. Pcs.	Size	Length	Mark	Type	Weight Of One Bar	Total Weight
1	26	#4	108"			7.13	185.26
2	24	#5	171"			18.60	446.40
3							
4							
5							
6							
7							
8							
9							
10							
11							
12							
13							
14							
15							
16							
17							
18							
19							
20							
21							
22							
23							
24							
25							
26							
27							
28							
29							
30							
31							
32							
33							
34							
35							
36							

ALL STEEL A615 Grade 60

Total Weight Of Page 637.86  
 Total Weight Of All Bars 59620.20



REBAR-CAD BAR WEIGHTINGS

CADS-USA INC.

JOB NO. 0816

DWG NO. S4

SHEET 13 OF 16

DATE REVISED

DRAWN BY DM

CUSTOMER THOMSON MANUFACTURING  
 PROJECT 0816  
 LOCATION XXXXXX  
 MATERIAL FOR REL. 013-WALLS (ELEV.78)

Item	No. Pcs.	Size	Length	Mark	Type	Weight Of One Bar	Total Weight
1	26	#4	108"			7.13	185.26
2	24	#5	1710"			18.60	446.40
3							
4							
5							
6							
7							
8							
9							
10							
11							
12							
13							
14							
15							
16							
17							
18							
19							
20							
21							
22							
23							
24							
25							
26							
27							
28							
29							
30							
31							
32							
33							
34							
35							
36							

ALL STEEL A615 Grade 60

Total Weight Of Page 637.86  
 Total Weight Of All Bars 59620.20

## REBAR-CAD BAR WEIGHTINGS

CADS-USA INC.

JOB NO. 0816  
 DWG NO. 54  
 SHEET 14 OF 16  
 DATE  
 DRAWN BY DM

CUSTOMER THOMSON MANUFACTURING  
 PROJECT 0816  
 LOCATION XXXXXX  
 MATERIAL FOR REL 014-SOG

Item	No. Pcs.	Size	Length	Mark	Type	Weight Of One Bar	Total Weight
1	1	#4	19'11"	AA09a		13.30	13.30
2	1	#4	2'4"	AA09b		14.25	14.25
3	1	#4	32'8"	AA09c		15.14	15.14
4	1	#4	24'1"	AA09d		16.09	16.09
5	1	#4	23'9"	AA09e		17.03	17.03
6	1	#4	36'11"	AA09f		17.98	17.98
7	1	#4	28'4"	AA09g		18.93	18.93
8	1	#4	29'9"	AA09h		19.87	19.87
9	1	#4	31'2"	AA09i		20.82	20.82
10	1	#4	32'6"	AA09j		21.71	21.71
11	1	#4	32'11"	AA09k		22.66	22.66
12	1	#4	4"	AA10a		0.22	0.22
13	1	#4	3'9"	AA10b		1.17	1.17
14	1	#4	3'2"	AA10c		2.12	2.12
15	1	#4	4'7"	AA10d		3.06	3.06
16	1	#4	5'0"	AA10e		4.01	4.01
17	1	#4	7'3"	AA10f		4.95	4.95
18	1	#4	8'11"	AA10g		5.96	5.96
19	1	#4	10'4"	AA10h		6.90	6.90
20	1	#4	11'9"	AA10i		7.85	7.85
21	1	#4	13'2"	AA10j		8.80	8.80
22	1	#4	14'7"	AA10k		9.74	9.74
23	1	#4	16'1"	AA10l		10.74	10.74
24	1	#4	17'6"	AA10m		11.69	11.69
25	1	#4	18'11"	AA10n		12.64	12.64
26	1	#4	20'4"	AA10o		13.58	13.58
27	1	#4	21'9"	AA10p		14.53	14.53
28	1	#4	22'2"	AA10q		15.48	15.48
29	1	#4	24'8"	AA10r		16.48	16.48
30	1	#4	26'7"	AA10s		17.42	17.42
31	1	#4	27'6"	AA10t		18.37	18.37
32	1	#4	28'11"	AA10u		19.32	19.32
33	1	#4	30'4"	AA10v		20.26	20.26
34	1	#4	31'9"	AA10w		21.26	21.26
35	1	#4	32'3"	AA10x		22.21	22.21
36	1	#4	14'8"	AA11a		9.80	9.80
						Total Weight Of Page	476.34
ALL STEEL A615 Grade 60						Total Weight Of All Bars	56620.30

## REBAR-CAD BAR WEIGHTINGS

CADS-USA INC.

JOB NO. 0816  
 DWG NO. 54  
 SHEET 15 OF 16  
 DATE  
 DRAWN BY DM REWISED

CUSTOMER THOMSON MANUFACTURING  
 PROJECT 0816  
 LOCATION XXXXXX  
 MATERIAL FOR REL 014-SOG

Item	No. Pcs.	Size	Length	Mark	Type	Weight Of One Bar	Total Weight
1	1	#4	161"	AA11b		10.74	10.74
2	1	#4	176"	AA11c		11.69	11.69
3	1	#4	181"	AA11d		12.64	12.64
4	1	#4	204"	AA11e		13.58	13.58
5	1	#4	219"	AA11f		14.53	14.53
6	1	#4	222"	AA11g		15.48	15.48
7	1	#4	247"	AA11h		16.42	16.42
8	1	#4	253"	AA11i		17.37	17.37
9	1	#4	274"	AA11j		18.26	18.26
10	1	#4	289"	AA11k		19.21	19.21
11	1	#4	4"	AA12a		0.22	0.22
12	1	#4	18"	AA12b		1.11	1.11
13	1	#4	30"	AA12c		2.00	2.00
14	1	#4	44"	AA12d		2.89	2.89
15	1	#4	59"	AA12e		3.84	3.84
16	1	#4	73"	AA12f		4.73	4.73
17	1	#4	85"	AA12g		5.62	5.62
18	1	#4	99"	AA12h		6.51	6.51
19	1	#4	112"	AA12i		7.46	7.46
20	1	#4	126"	AA12j		8.35	8.35
21	1	#4	131"	AA12k		9.24	9.24
22	1	#4	152"	AA12l		10.19	10.19
23	1	#4	167"	AA12m		11.08	11.08
24	1	#4	173"	AA12n		11.97	11.97
25	1	#4	192"	AA12o		12.86	12.86
26	1	#4	209"	AA12p		13.81	13.81
27	1	#4	220"	AA12q		14.70	14.70
28	1	#4	224"	AA12r		15.59	15.59
29	1	#4	249"	AA12s		16.53	16.53
30	1	#4	267"	AA12t		17.42	17.42
31	1	#4	275"	AA12u		18.31	18.31
32	1	#4	289"	AA12v		19.21	19.21
33	1	#4	302"	AA12w		20.15	20.15
34	36	#4	571"	AA13	17	3.95	142.38
35	620	#4	300"			20.04	12424.80
36	12	#4	9'8"			6.46	77.49
						Total Weight Of Page	13028.23
ALL STEEL A615 Grade 60						Total Weight Of All Bars	56620.20

REBAR-CAD BAR WEIGHTINGS

CADS-USA INC.

JOB NO. 0816  
 DWG NO. S4  
 SHEET 16 OF 16  
 DATE  
 DRAWN BY DM REVISED

CUSTOMER THOMSON MANUFACTURING  
 PROJECT 0816  
 LOCATION XXXXXX  
 MATERIAL FOR REL. 014-SOG

Item	No. Pcs.	Size	Length	Mark	Type	Weight Of One Bar	Total Weight
1	51	#4	5'3"			3.62	184.54
2	6	#4	1'30"			8.68	69.47
3	8	#4	6'4"			4.23	33.85
4	26	#4	3'00"			20.04	521.04
5	27	#4	2'8 1/2"			19.21	518.54
6	27	#4	1'0 1/2"			6.96	187.88
7	23	#4	2'0 1/2"			13.36	366.72
8							
9							
10							
11							
12							
13							
14							
15							
16							
17							
18							
19							
20							
21							
22							
23							
24							
25							
26							
27							
28							
29							
30							
31							
32							
33							
34							
35							
36							

Total Weight Of Page 1876.02  
 Total Weight Of All Bars 56620.20

ALL STEEL A615 Grade 60